

HFC - Filter Bag Swing-bolt closure Housings Size 1 & 2

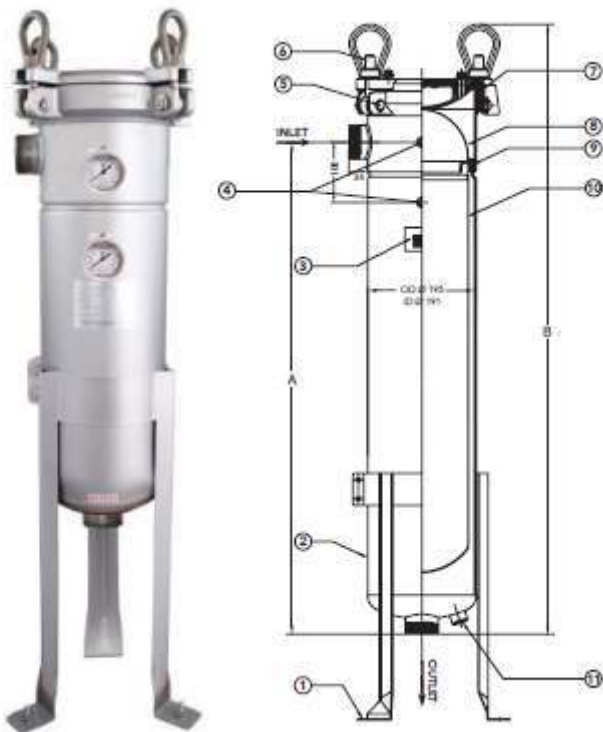
HFC

Construction Notes

1. - 316L Stainless Steel provides enhanced corrosion resistance, with the polycoating providing a protective finish
2. - Adjustable legs fitted as standard
3. - 1/8" perforated Stainless Steel Basket support
4. - Housing come with swing-bolt closure

Material of Construction

Sump	316L St. Steel Polycoated
Head	316L St. Steel Polycoated
Swing Bolts	316L St. Steel
Seal	Buna-N or EPDM or Teflon or Viton
Basket	316L St. Steel
Basket Seal	Buna-N or EPDM or Teflon or Viton
Lengs	304L St. Steel



Code	Bag Size	Port Size"	Max. Flow	Weight
14 - 116	1 pc - No 1	2 BSPT - M	18 m ³ /h	20 kg
14 - 117	1 pc - No 2	2 BSPT	36 m ³ /h	55 kg
14 - 118	1 pc - No 1	2 BSPT	18 m ³ /h	35 kg
14 - 119	1 pc - No 2	2 BSPT	36 m ³ /h	39 kg

Made in EU on Behalf of HFC



HFC Hellenic Filtration Enterprises S.A.

13, Peloponnissou St., 153 41 Ag. Paraskevi, Athens, Greece, Tel +30 210 6018848, +30 210 6018890 fax.+30 210 6019309
E-mail : marketing@hfc-filtration.gr – www.hfc-filtration.gr

